

SF Applications*	
1	Agitators, pumps, centrifugal fans and compressors, even load generators ...
1.25	Rotary compressors, buckets conveyors, rotary pumps, elevators ...
1.50	Paper industries, rewinders, scrapers, conveyor, mills stand with turbines driven with helical gears ...
1.75	Hammer mills, general handling, notching press, press circular resaw, planer, calander, super calander, couch press ...
2.00	Small and medium cement kilns, wire mills, calanders with overload generators, edger, log, haul, rolls, harbour and grad-buckets crane, draw bench, wire drawing, straighteners, flattening cane knife, and crushers, fans for cooling tower ...
2.50	Rod mills, chippers, ball mills, mixers, external mixers, mills, big kilns, fillers, strips, lingots ...
3.00	Feeds rolls, one cyl. Pumps ...

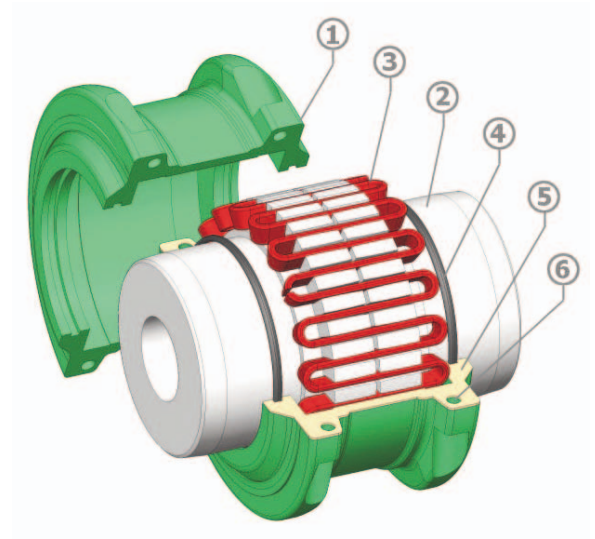
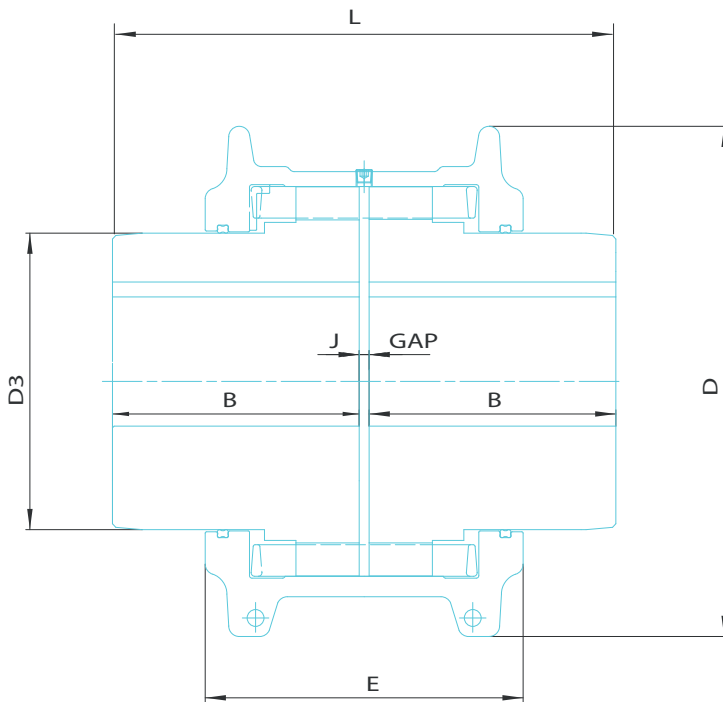
* For information only. Please contact CMD for further details.

Interchangeable chart



FALK

1020 DGH	1020 T 10
1030 DGH	1030 T 10
1040 DGH	1040 T 10
1050 DGH	1050 T 10
1060 DGH	1060 T 10
1070 DGH	1070 T 10
1080 DGH	1080 T 10
1090 DGH	1090 T 10
1100 DGH	1100 T 10
1110 DGH	1110 T 10
1120 DGH	1120 T 10
1130 DGH	1130 T 10
1140 DGH	1140 T 10
1150 DGH	1150 T 10
1160 DGH	1160 T 10
1170 DGH	1170 T 10
1180 DGH	1180 T 10
1190 DGH	1190 T 10
1200 DGH	1200 T 10



Item	Désignation
1	Cover
2	Hub
3	Grid
4	Seal
5	Gasket
6	Fasteners

Sizes	Torque rating (Nm)	Maximum bore* (mm)	Dimensions						Lube weight (kg)	Coupling weight (kg)	Allow speed (Rpm)
			B	D	D3	E	J	L			
1020 DGH	52	28	47	88	39,5	68	3	97	0,03	1,8	4500
1030 DGH	149	35	47	99	49	70	3	97	0,03	2,4	4500
1040 DGH	249	42	50	107	57	71	3	103	0,06	3,2	4500
1050 DGH	435	50	60	130	66,5	85	3	123	0,06	5,1	4500
1060 DGH	684	56	63	139	76	92	3	129	0,09	7,2	4350
1070 DGH	994	65	76	150	87	95	3	155	0,11	10,1	4125
1080 DGH	2 050	80	88	176	104,5	117	3	179	0,17	17,8	3600
1090 DGH	3 730	95	98	196	123,5	123	3	199	0,25	25	3600
1100 DGH	6 280	110	120	251	142	156	5	245	0,43	43	2440
1110 DGH	9 320	120	127	270	160	162	5	259	0,51	56	2250
1120 DGH	13 700	137	149	308	179	192	6	304	0,74	81,2	2025
1130 DGH	19 900	165	162	346	217	195	6	330	0,91	121	1800
1140 DGH	28 600	184	182	384	254	201	6	374	1,2	178	1650
1150 DGH	39 800	215	182	453	269	271,5	6	372	1,95	234	1500
1160 DGH	55 900	240	198	504	305	278	6	402	2,18	317	1350
1170 DGH	74 600	280	216	567	356	307	6	439	3,49	448	1225
1180 DGH	103 000	300	239	629	394	321	6	524	3,76	619	1110
1190 DGH	137 000	335	259	757	437	355	6	565	4,40	776	1050
1200 DGH	186 000	360	279	845	498	432	6	623	5,62	1058	900

* For rectangular section keys (ISO)

When severe loading conditions exist be advise to reduce by 10% the table maximum bore capacities for hubs

• Values are for hubs without bore

Note: all dimensions are subject to change without notification